

Sharp® JX-9500 Drum Unit



Oasis Imaging Products, Inc. Technical Support: (888) 627-6555

Reference Information:

OEM PN: 5610661
OEM Yield: 40,000
(@ 50,000 "OPC Life Over" message displayed)
(@ 55,000 Red Error indicator lights)

Recommended Tools:

Phillips screwdriver
1/8" diameter steel dowel (14"-16" length)

Printer Compatibility Information:

Amstrad LD-6000
Data General 6640, 6646
Dataproducts LZR 650, 660, 960
Sharp JX-9500, JX-9500 PS, JX-9500 H

Tandon Laserprinter, Laserprinter PS
TI Microlaser, Microlaser PS17, Microlaser PS35
Wang LDP-6, WLT PC Express LDP-6

Instructions:

1. Lay the cartridge the work surface so that the drum faces upward.
2. Remove the drum axles (3 screws - Fig. 1). Rotate the left axle to unlatch (Fig. 2).
3. Remove the OPC drum. Clean, inspect and lubricate the drum (with padding powder) and store in a dark place. Replace if necessary. If replacement is required, then perform the following to remove the OEM gears:
 - a. Insert steel dowel through end plug and lightly tap the edge of opposite gear until it becomes dislodged.
 - b. Perform step "a" on the remaining gear.
 - c. To install gears on replacement OPC drum: make sure copper contacts on gear are inserted into the end of the drum without the silver band. otherwise electrical continuity will not be achieved. Do not pass contacts through the glue inside the drum.
4. Remove the corona assembly (2 screws - Fig. 3). Clean, inspect and replace if necessary.
5. Remove the cleaning blade and clean all residual toner from the waste bin.
NOTE: Be careful not to damage the small mylar strip. Clean, inspect and lubricate the cleaning blade; replace if necessary.
6. Install the cleaning blade (5 screws).
7. Install the corona assembly (2 screws).
8. Install the OPC drum.
9. Install the drum axles (3 screws).

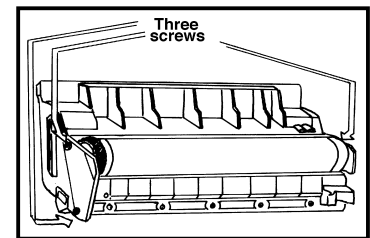


Figure 1

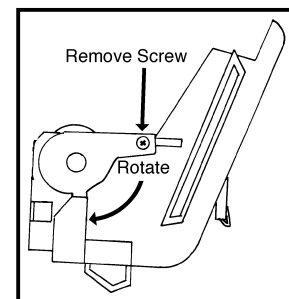


Figure 2

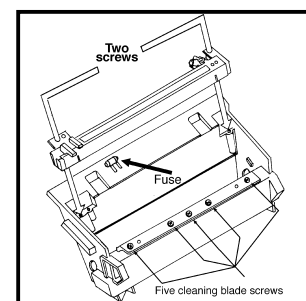


Figure 3