

HP® 1200 Remanufacturing Instructions



Oasis Imaging Products, Inc. Technical Support: (800) 322-8992 ext 110

Reference Information:
C7115A
C7115X

OEM Yields:
15A 2500 pages @ 5%
15X 3500 pages @ 5%

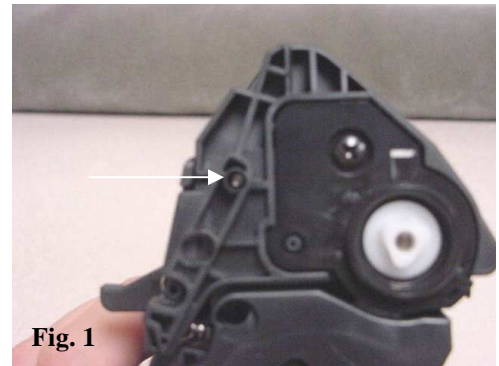
Tools Required:
#2 Philips Screwdriver
#1 Flat Tip Screwdriver
1/8" Punch or smaller
3/32" Drill Bit
Power Drill or Screwdriver

Materials Needed:
Toner
Drum
PCR (if needed)
Mylars (if needed)
Wiper Blade
Doctor Blade (if needed)
Lint free, Wax free wipes

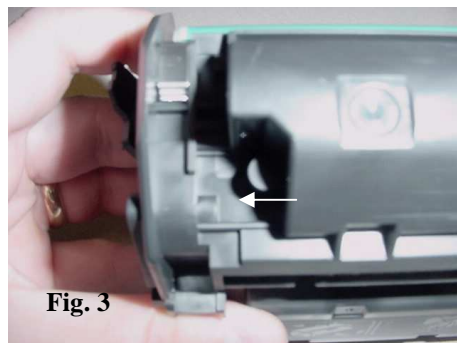
Approximate Reman Time:
25 min.



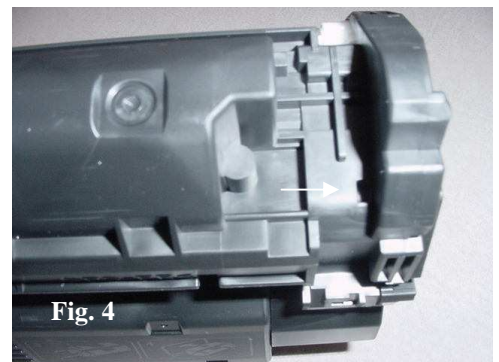
1. The cartridge halves are held together by a pair of retaining pins (Fig.1); one on each end of the cartridge. The cartridge pins will cause damage to the PCR cradle if pushed in; therefore they must be removed from the inside and pushed out. The method of removal in these instructions will cause some minor damage to the cartridge shell, but will not be visible to the end user.



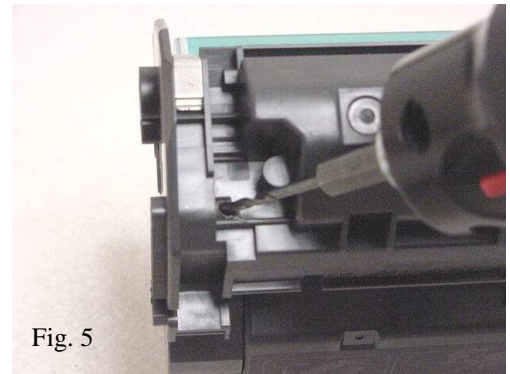
2. Using a small flat head screwdriver, gently pry up on the door hinge with the spring to remove the drum shutter door from the waste bin (Fig. 2). Do the same to the opposite door hinge and carefully remove the shutter door.



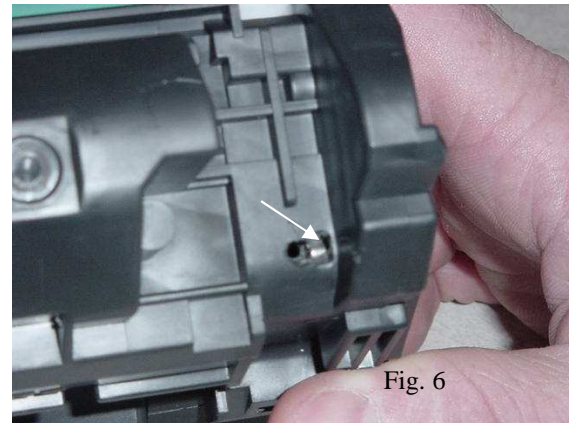
3. Once the shutter door is removed you can see the area on figure 3 & 4 that needs to be drilled, so that you can push the cartridge pins out.



4. Using a 3/32" drill bit carefully drill a small hole into the plastic housing where the cartridge pin is located (Fig. 5). Repeat this process on the opposite side of the cartridge where the second cartridge pin is located (Fig. 6).

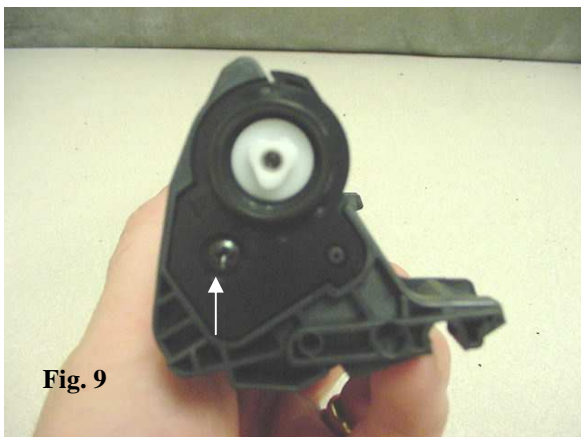
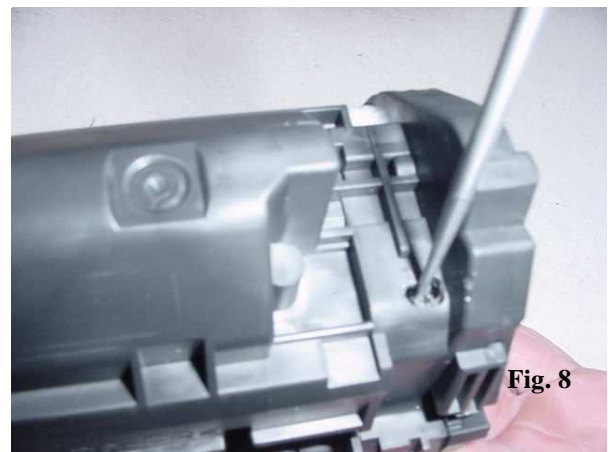
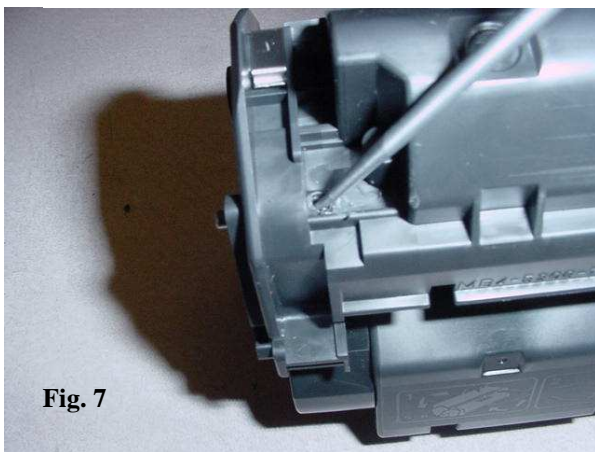


5. Once the holes are drilled in the cartridge pin locations you will be able to see the end of the cartridge pin. Use a small punch or angled tool to push the pin out from the inside of the cartridge (Fig. 7).



Push the pin out enough so that you can get a pair of pliers on the pin once it is free from the internal housing to fully remove it. Repeat the same steps on the opposite pin (Fig. 8).

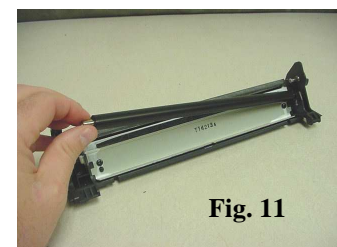
Once the pins are removed you can separate the cartridge halves.



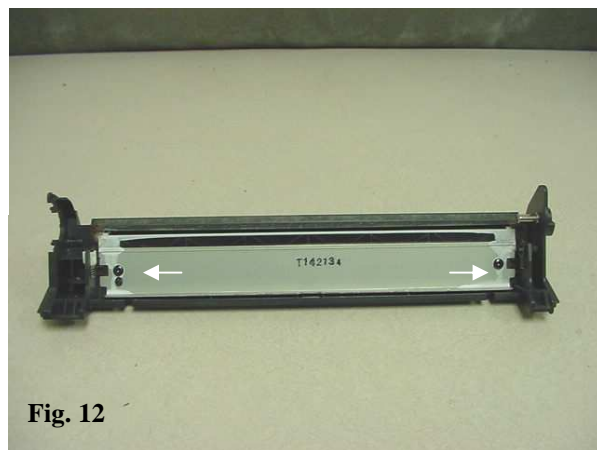
6. Remove the screw that secures the OPC stabilizer (Fig. 9).

7. Once that is done carefully remove the OPC (Fig. 10).

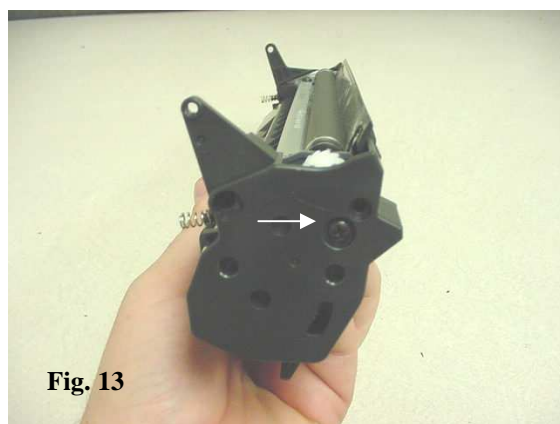
8. Remove the PCR (Fig. 11)



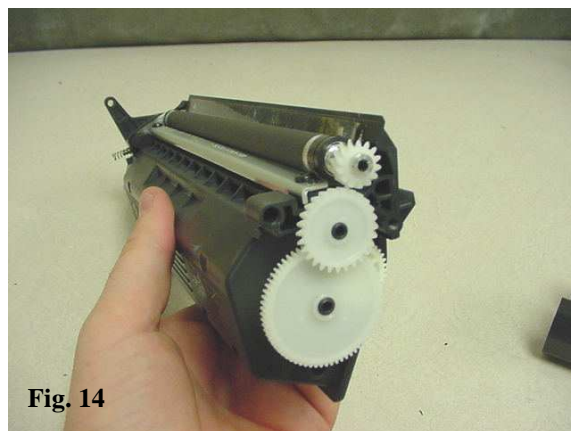
9. Remove the two screws that secure the wiper blade (Fig 12). Remove the blade and replace if necessary. Remove all residual toner from the waste bin. Check Mylar recovery blade and ensure that it is not creased or damaged. Clean or replace PCR and OPC and reassemble in reverse order.



10. Remove one screw from the end cap on the gear end side of the toner hopper (Fig. 13).



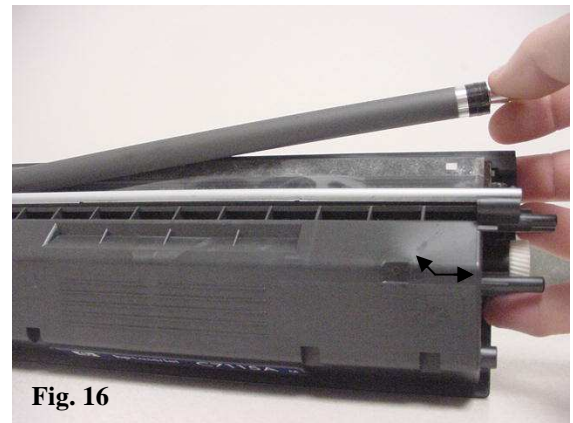
11. Once the end cap is removed remove the gears from the toner hopper. Make a notation of the position of the gears for re-assembly (Fig.14).



12. Remove the one screw on the mag contact end cap on the opposite side of the toner hopper (Fig. 15).



13. Carefully remove the magnetic roller by lifting the roller from the toner hopper section (Fig. 16). Note the location of all peripheral components on the mag roller (bushings, etc). Use compressed air to remove all residual toner from the surface of the sleeve and inspect for damage.



14. Remove the two screws that hold the doctor blade in place (Fig. 17). Use compressed air or a vacuum to remove the residual toner from the blade; replace if necessary. Inspect the mag roller Mylar for damage; replace if necessary. Clean the hopper with compressed air or a vacuum; clean the hopper of all residual toner. Fill the toner hopper with the required gram load and prepare for re – assembly.



15. Reassemble the toner hopper in reverse order of the disassembly. Clean and inspect all components and replace if necessary (Fig. 18). Place the cartridge halves together and avoid damaging the springs on the top of the toner hopper. Align the pinholes on each side and insert the cartridge pins to hold the halves together.



Oasis and You ... Succeeding Together!



New Hampshire
(603) 880-3991
(800) 322-8992
Fax: (603) 598-4277

Tennessee
(800) 322-8992
Fax: (901) 366-9756

Texas
(800) 322-8992
Fax: (972) 692-6976

Canada
(800) 322-8992
Fax: (972) 692-6976

South America
(800) 322-8992
International:
(603) 880-1552
Fax: (603) 386-7575

Illinois
(800) 322-8992
Fax: (972) 692-6976

California
(800) 322-8992
Fax: (718) 908-7788

North Carolina
(800) 322-8992
Fax: (603) 386-7575

Europe
Netherlands
011-31-24-388-2233
Fax: 011-31-24-355-7373

© 1998 Oasis Imaging Products, Inc. Any attempt to reproduce any part of these instructions without the written consent of Oasis Imaging Products, Inc. may result in legal action. All registered trademarks are the property of their respective owners.